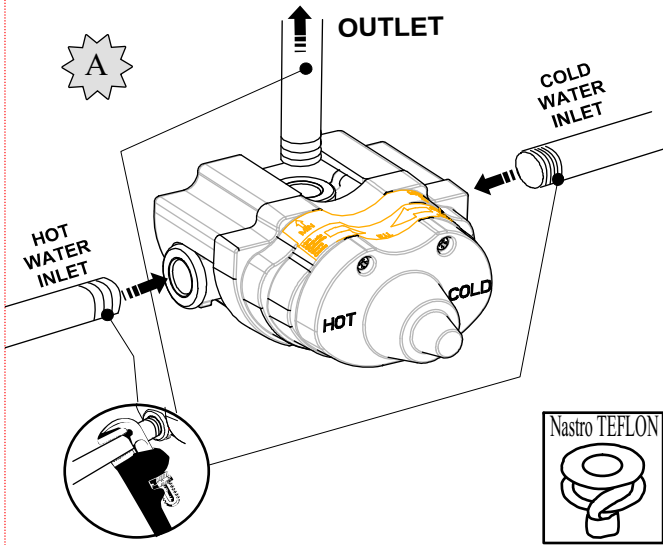


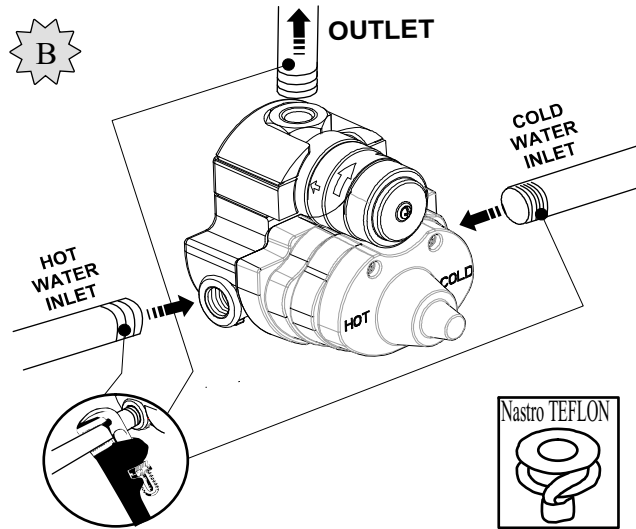
⚠ BEFORE INSTALLING THE MIXER MAKE SLIDE WATER INTO THE PIPES, IN ORDER TO AVOID THAT IMPURITY COULD OBSTRUCT THE MIXER.

1- Installation for "TYPE OF PRODUCT"

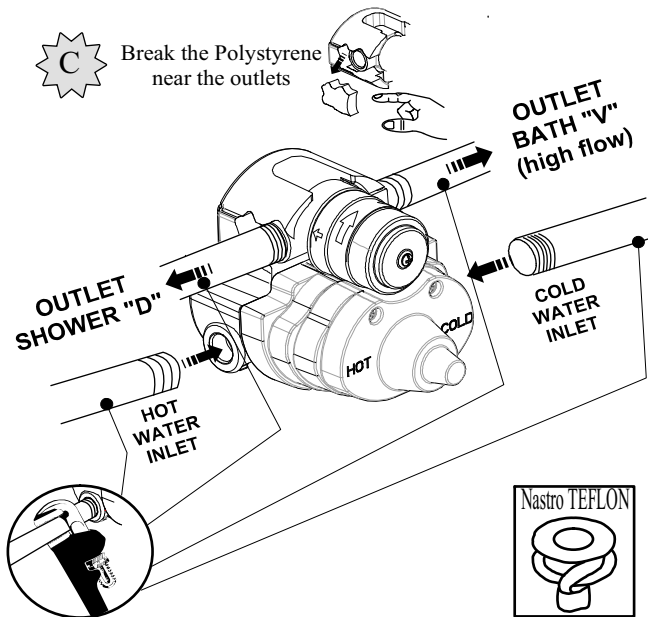
TYPE "A":
CONCEALED THERMOSTATIC VALVE



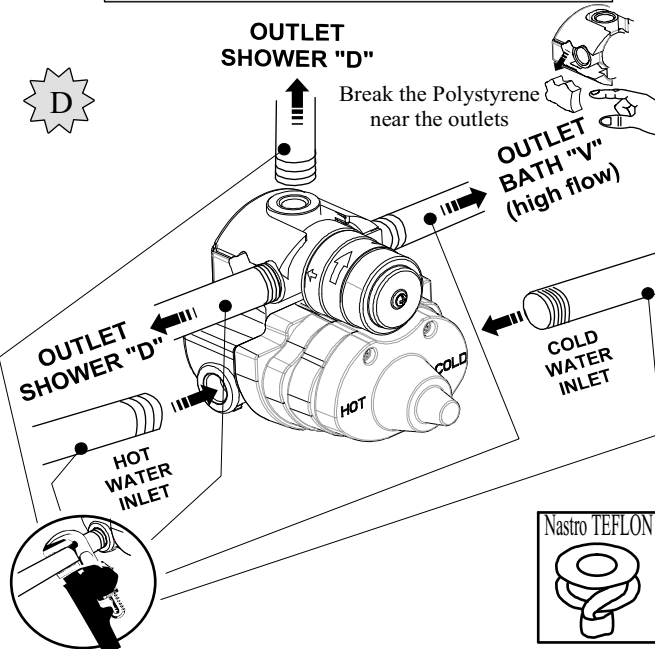
TYPE "B":
CONCEALED THERMOSTATIC VALVE
WITH VOLUME CONTROL



TYPE "C":
CONCEALED THERMOSTATIC VALVE
WITH 2 OUTLET DIVERTER

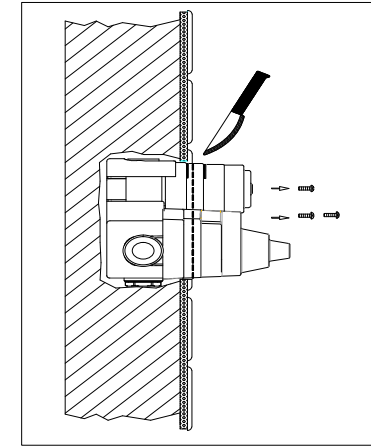


TYPE "D":
CONCEALED THERMOSTATIC VALVE
WITH 3 OUTLET DIVERTER

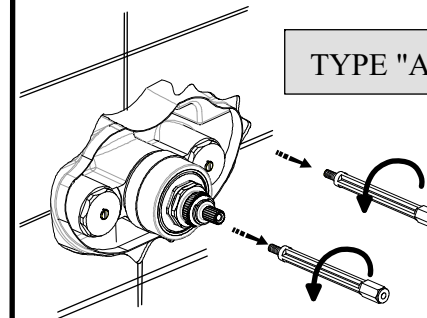


2 - Installation: PROTECTION CUT

FOR TYPE "A-B-C-D":

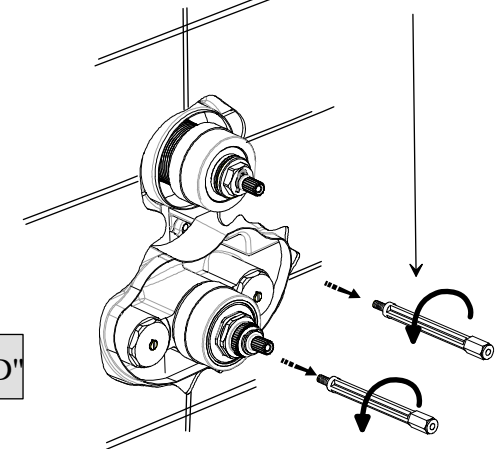


TYPE "A"



remove
the extensions

TYPE "B-C-D"



Hot water Supply:

This mixer is compatible to any production systems of hot water.

In presence of a non modular flash boilers, the water withdrawal must correspond to the minimum requested by the boiler to light up & keep on working (this minimum flow is specified by the boiler manufacturer).

Flash boilers whose rating is higher or equal to 18 KW or 250 mth/min are compatible with this mixer.

Generally, flash boilers with less rating cannot be compatible with any thermostatic mixers.

Maintenance:

Cleaning of filters and thermostatic cartridge

This thermostatic mixer is equipped by filters to avoid that any impurity enter the mixing mechanism.

Filters are installed on the thermostatic cartridge.

Filters can be occluded according to the quality and composition of water, causing a flow reduction and a less efficient functioning of the mixer.

Limescale can cause the same problems.

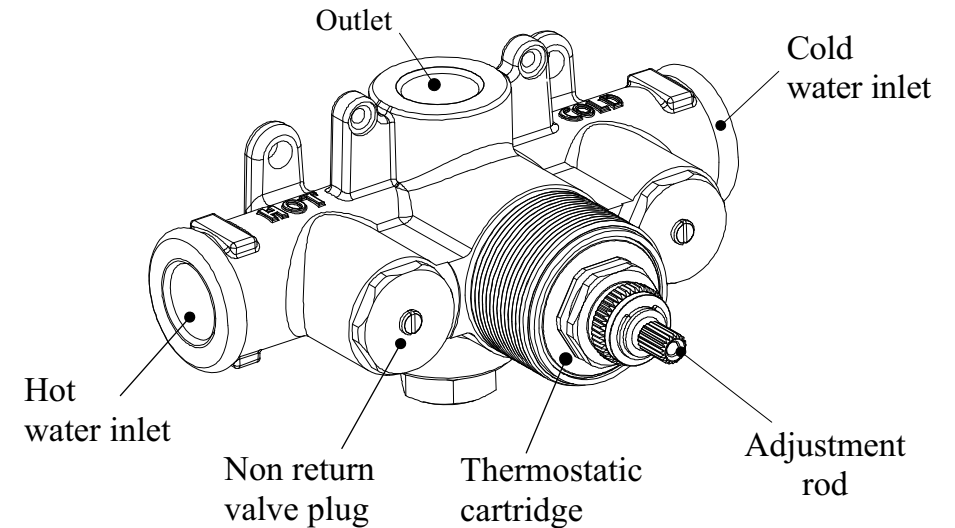
To clean the filters:

- Close the water supply tightening the screws on the plugs of the non return valve.
- Remove the cartridge unscrewing it counterclockwise from the body with a CH.24 key (pay attention not to turn the adjustment rod)
- Clean the cartridge with running water. If there are some limescale deposit on it, put it into the vinegar or into an anti limescale solution for one night.
- Rinse the cartridge and reassemble it.
- Reopen the water supply loosen the screws on the plugs of the non return valve.
- Check with a thermometer that the mixing water is at the desired temperature.

THE WARRANTY IS NOT VALID IF ANY OF THE ABOVE INSTRUCTIONS IS NOT RESPECTED.

CONCEALED THERMOSTATIC VALVE

ASSEMBLY & MAINTENANCE INSTRUCTION



Operating Rule:

Hot & Cold water temperature:

Hot water temperature

Maximum: 85° C

Minimum: 10 ° C higher than the desired temperature for mixing water

Recommended: 65° C

The slightest difference between the supplied hot water and the maximum mixing water temperature is 10°C.

Operating Pressures:

Maximum: 5 bar

Minimum: 1 bar

Recommended: 2 bar

To grant the best functioning of the mixer it is important that the operating pressures (hot & cold water) are balanced as much as possible.

If the pressure is higher than 5 bar it is necessary to install a pressure reducer on the mixer.