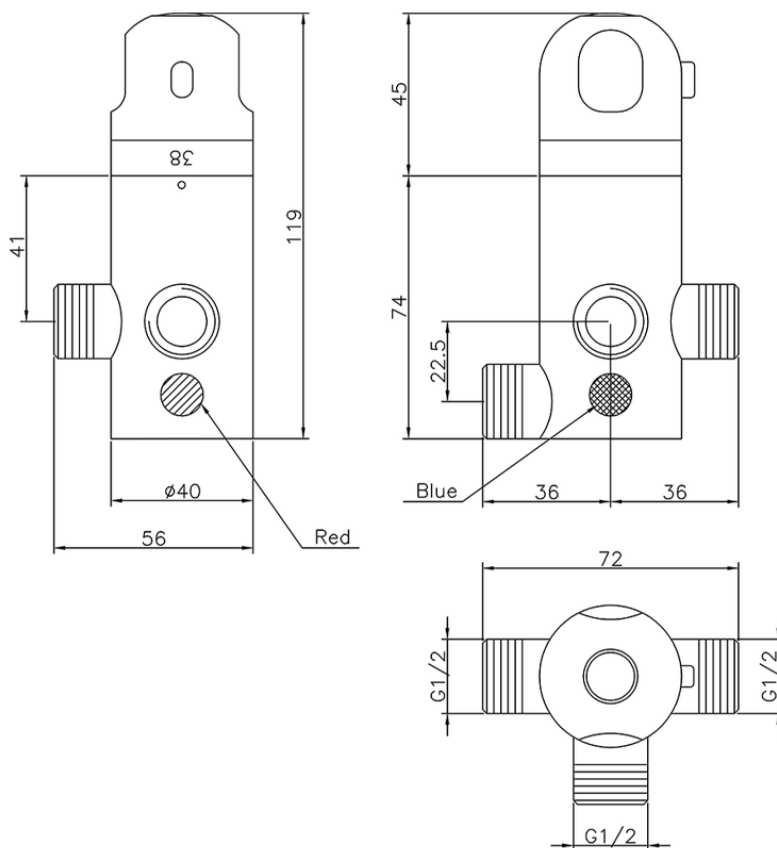


Miscelatore termostatico sotto boiler CLINIC&TECHNICAL_42.01H.



42.01H.

<http://www.huberitalia.com/miscelatore-termostatico-sotto-boiler-clinictechnical-42-01h>

2026-06-24